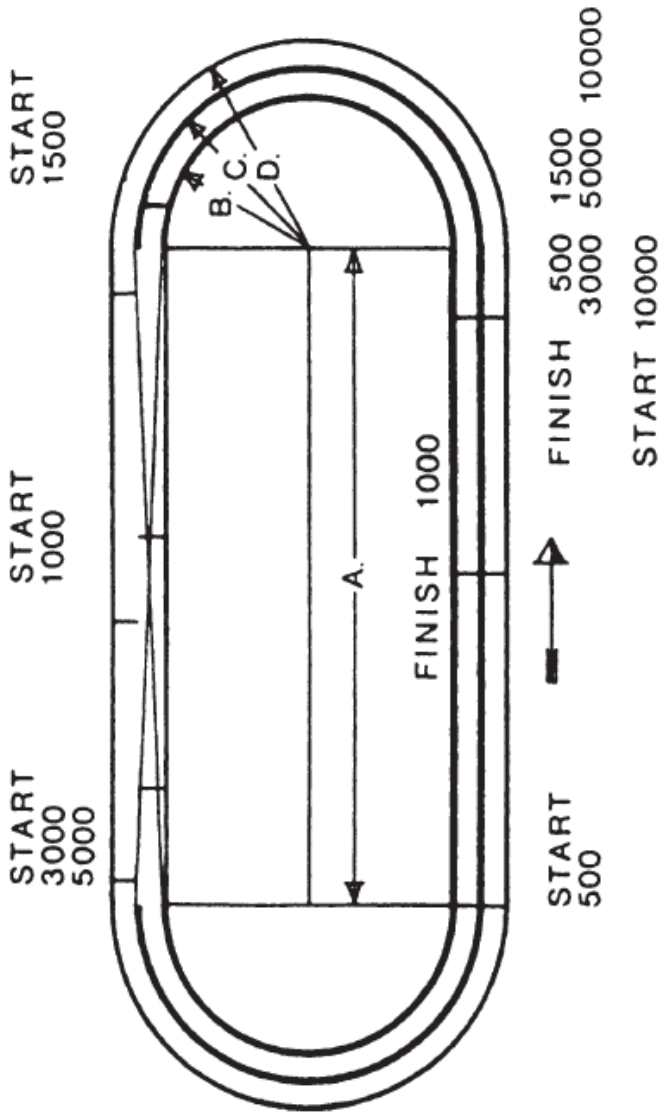


# A. Tracks



C-B = 4 meters  
D-C = minimum 4 meters